

1 2 3 4 5 6 7 8

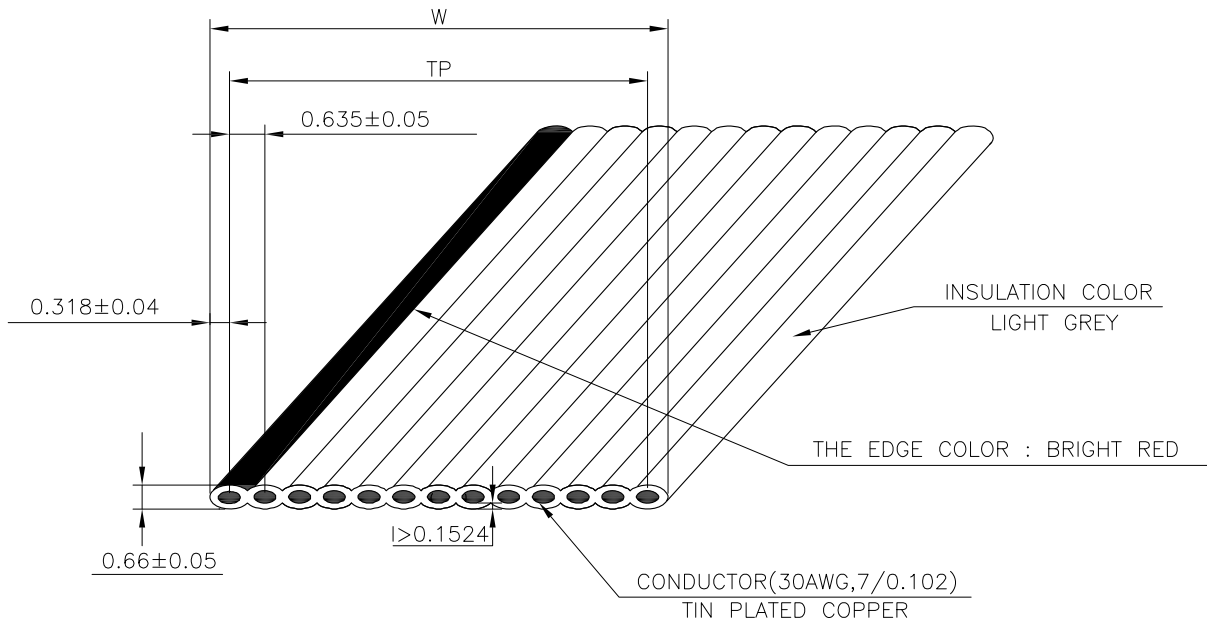
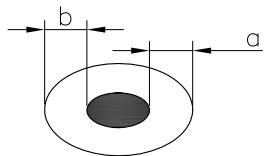
THIS DRAWING AND THE DATA DISCLOSED HEREIN OR HERewith IS NOT TO BE REPRODUCED USED OR DISCLOSED IN WHOLE OR IN PART TO ANYONE WITHOUT THE PERMISSION OF JESS-LINK PRODUCTS CO.,LTD.(JPC)

CUSTOMER DRAWING
DRWC-008686

REV.	ECN NO.	DESCRIPTION	MDF'D	APP'D	DATE
A1	---	INITIAL DESIGN	Chunxia	Richard	12/07/2023

NUMBER OF CORES	WIDTH (mm)	TP (mm)	ALLOWABLE ERROR mm
40	25.4	24.765	±0.15

$S(\text{Eccentricity}) = |a-b| / 2 < 0.05$

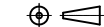


ITEM	SUPL	SUPL PN	DESCRIPTION	Q'TY
1				
2				
3				
4				
5				

RoHS COMPLIANT

Unit : mm
GENERAL TOLERANCES: (UNLESS SPECIFIED)
0 ±1(0.039)
0.0 ±1.5(0.02)
0.00 ±1.3(0.012)
0.000 ±1.15(0.006)
0° ± 2°
0.0° ± 1°

PROJECTION



D.R. 12/07/2023
Chunxia

CH.K

APV.D

JPC connectivity

TITLE	PD./FILE NO.
HB56 series 30AWG P=0.635	XXXXXXXXXX
SCALE	SIZE
NA	A4
PART NO.	REV.
PHB56K2TS401-1	A1
SHEET 1 OF 2	

1 2 3 4 5 6 7 8

